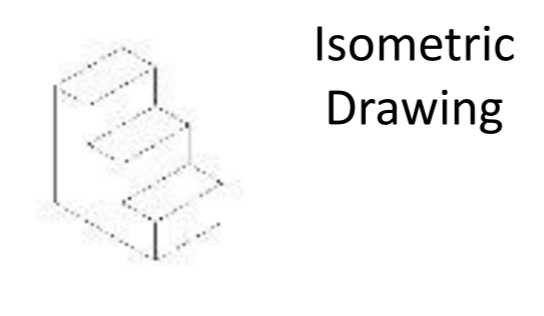
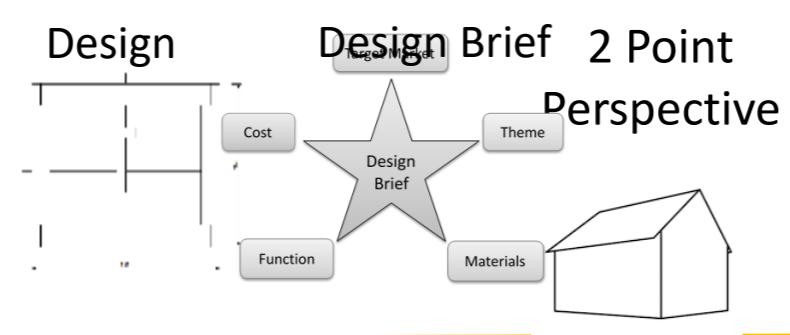


ASSESSMENT



Client Brief

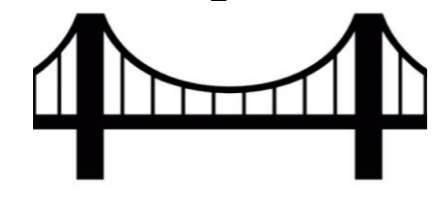
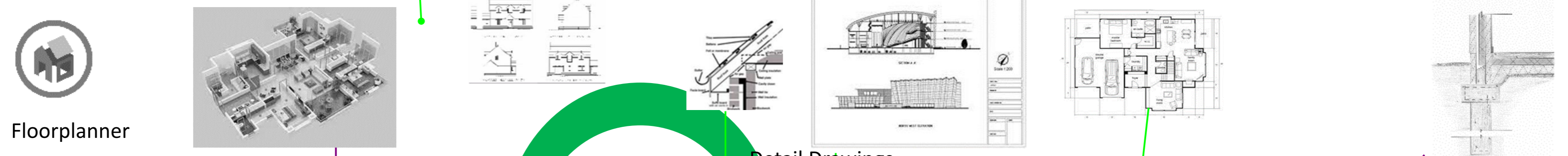
YEAR 11

COMPONENT 3 CONSTRUCTION AND DESIGN

COMPONENT 3 CONSTRUCTION AND DESIGN

COMPONENT 1 CONSTRUCTION TECHNOLOGY

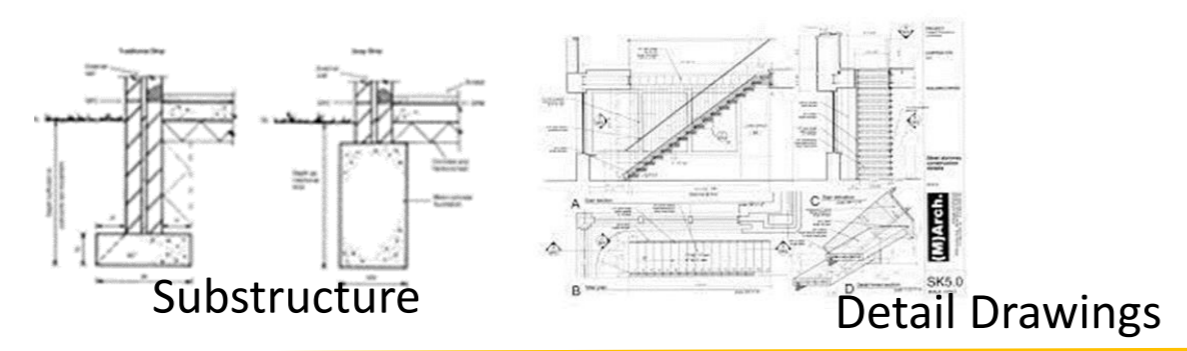
ASSESSMENT



Sectors



Case Study



Marking out

Lap

Mitre

Housing

Mortise and Tenon

Health and safety

PPE, Hazard, Risk, Control Measure

Sketch drawing

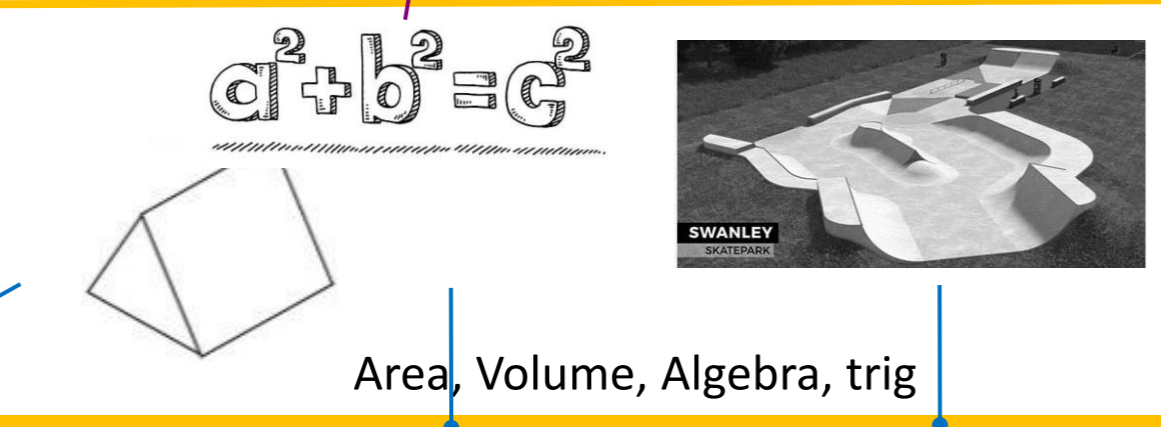
YEAR 10

COMPONENT 2 CONSTRUCTION IN PRACTICE

Risk Assessment

COMPONENT 3 CONSTRUCTION AND DESIGN

Client Brief



Move It

Command of the Heights

Risk Assessment

CAD & CAM

CAD & CAM

Perspective Drawing

Tools

YEAR 9

PPE, Hazard, Risk, Control Measure

2D Design Contours Laser Cutter

Floorplanner

2 Point Perspective

Health and safety Marking out

2 Point Perspective

Drawing



Container Housing

Down By The River

